

OM ORNAMENTAL MAGNETIC LATCH

INSTALLATION AND ADJUSTMENT INSTRUCTIONS

IMPORTANT NOTE:

Nationwide Industries does not recommend using any lever-handle or pull-handle latches on a pool gate. Even when these types of latches are mounted at a height which would meet most pool safety codes, it is still inherently easier for a child to "hook" something (e.g. a towel, rope, or branch) around this type of handle (vs. a pool safety latch), possibly allowing the gate to be opened. Visit www.nationwideindustries.com to see pool gate safety latch options, which are more appropriate for this intended use.

Make sure the posts used for this application are securely anchored and vertical (use a level). This latch fits 1" to 2" gate frames and any post size.

KIT CONTAINS:

1. MISCELLANEOUS PACK:

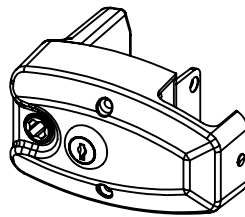
- (1) LATCH ASSEMBLY
- (1) KEEPER ASSEMBLY
- (1) OFFSET KEEPER BACKPLATE
- (2) HANDLES WITH SET SCREWS
- (1) SQUARE SPINDLE,
- (1) SET SCREW WRENCH

2. TWO SETS OF MOUNTING HARDWARE:

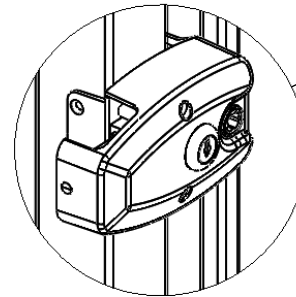
- USE SS SCREW SET FOR ALUMINUM GATES
- USE STEEL SCREW SET FOR STEEL GATES

EACH SET CONTAINS:

- (2) #8 X 2" LG. PH. FLAT HEAD SELF-DRILLING SCREWS.
- (7) #8 X 3/4" LG. PH. FLAT HEAD SELF-DRILLING SCREWS.
- (1) #6-32 KEEPER ADJUSTMENT LOCK
- (2) KEYS (Locking Version Only).

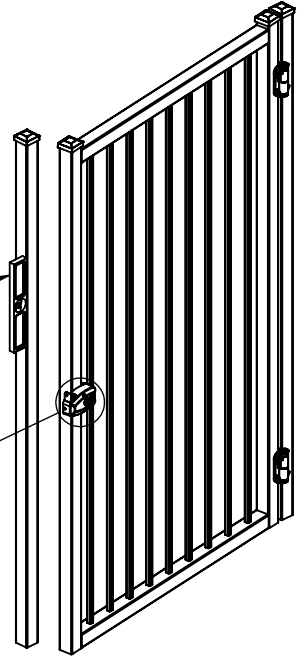


REVERSED



DETAIL "A"

Level

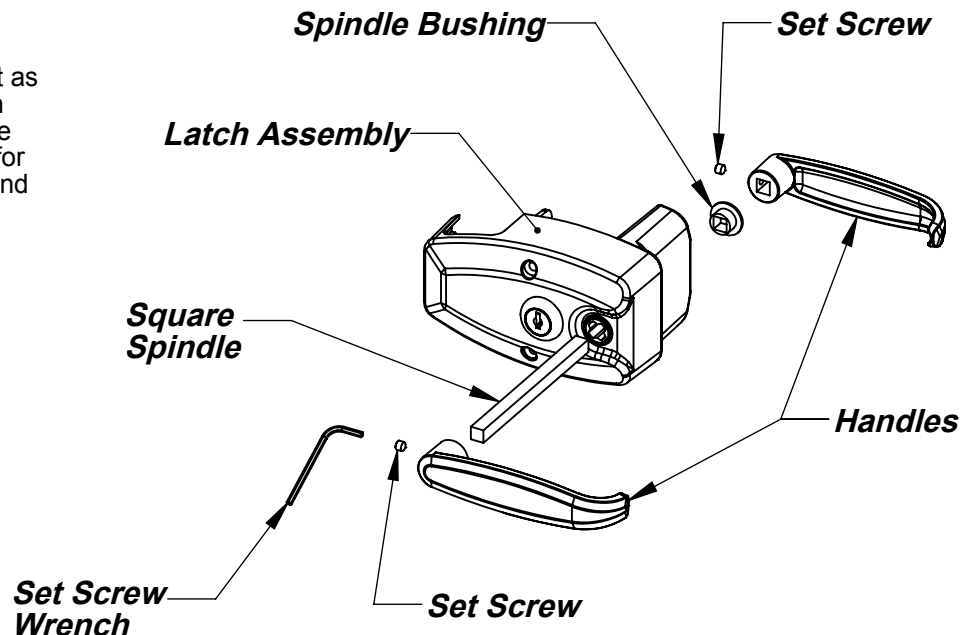


STEP-1

Position **Latch Assembly**, at desired height as shown on Detail "A". Fasten to the gate with the supplied screws: #8 x 2" are used for the **Front of The Housing**, #8 x 3/4" are used for the **Return Tab**. The **Latch** is not handed and can be mounted as shown or reversed.

STEP-2

With the **Latch Assembly** fastened in place, attach the **Square Spindle** into one of the **Handles** tightening the set screw with the **Wrench** provided. Insert **Square Spindle** into the Spindle hole on the front housing. Attach **Spindle Bushing** into the Spindle hole on the back housing. Finally, attach the other **Handle** at opposite end of **Square Spindle** with provided **Set Screw**.

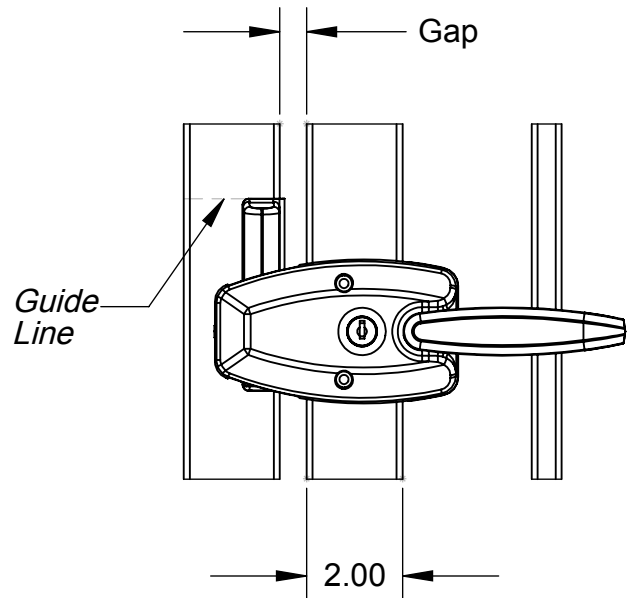
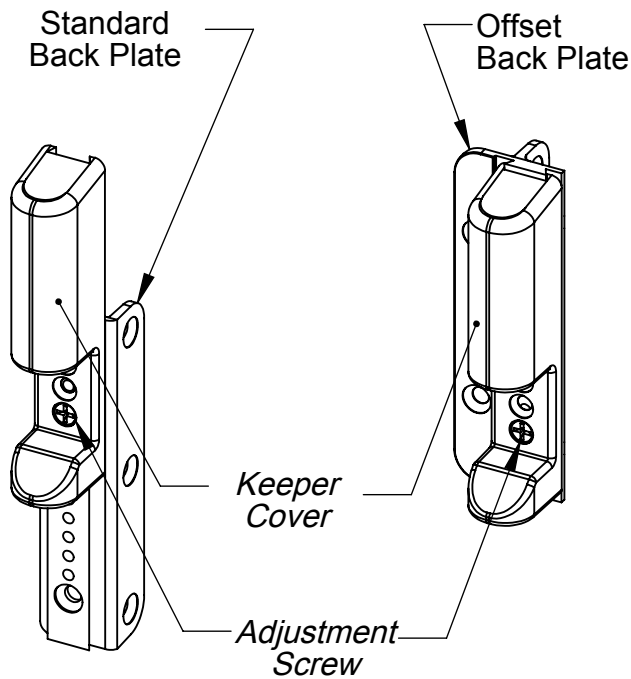


OM ORNAMENTAL MAGNETIC LATCH

INSTALLATION AND ADJUSTMENT INSTRUCTIONS

IMPORTANT NOTE:

To allow for a wide range of gaps, an optional Offset Keeper Back Plate is included. A table with Gap Range has been provided below. Make sure to have the correct Back Plate assembled with Keeper before proceeding with Step 3 of the installation. Keeper can be mounted as shown or reversed for an opposite handed gate.



Back Plate	Gap Range
Standard Back Plate	5/16 To 13/16
Offset Back Plate	13/16 To 1-7/16

STEP-3

Once the **Keeper** is assembled with the proper **Back Plate** and in the proper direction for the gate handing, allow the **Keeper** to engage the latch. Close the gate and mark a **Guide Line** at the top of the **Keeper** on the fence post as shown above. Disengage the **Keeper** from the latch and mount the **Keeper** to the post with the supplied #8 x 3/4" screws. If using the **Standard Back Plate**, the **Keeper** will need to be disassembled to install all of the screws. Close the gate, allowing the latch to engage. Adjust **Keeper** as shown, open gate and install the **Adjustment Screw**.

