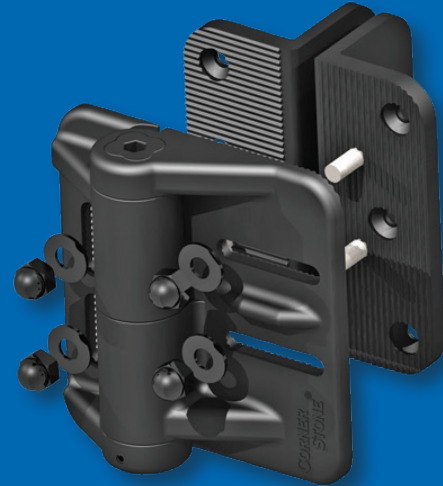




# CORNERSTONE®

## CH200F - FULLY ADJUSTABLE SELF-CLOSING HINGE



**HEAVY DUTY  
DESIGN**



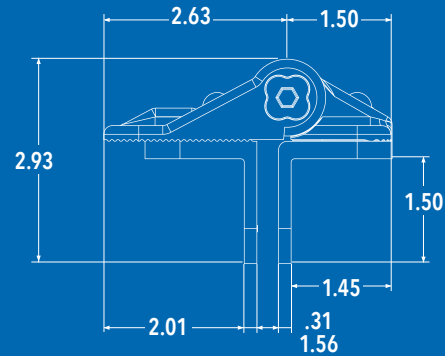
**HORIZONTAL  
AND VERTICAL  
ADJUSTMENT**



**EASY  
INSTALLATION**



**ALLEN  
WRENCH  
INCLUDED**



Part Number	Description	Count	Case Weight (lbs)
CH200F-SD-BK	CornerStone®-Nylon Fully-Adj Self-Closing Hinge, Medium Size fits 2" Gate post & Small Gate frames SS Self-Drilling Screws, Black	20(PR)	40
CH200F-SD-WH	CornerStone®-Nylon Fully-Adj Self-Closing Hinge, Medium Size fits 2" Gate post & Small Gate frames, SS Self-Drilling Screws, White	20(PR)	40
CH200F-ZD-BK	CornerStone®-Nylon Fully-Adj Self-Closing Hinge, Medium Size fits 2" Gate post & Small Gate frames, Std Z/P Screws, Black	20(PR)	40
CH200F-ZD-WH	CornerStone®-Nylon Fully-Adj Self-Closing Hinge, Medium Size fits 2" Gate post & Small Gate frames, Std Z/P Screws, White	20(PR)	40

