

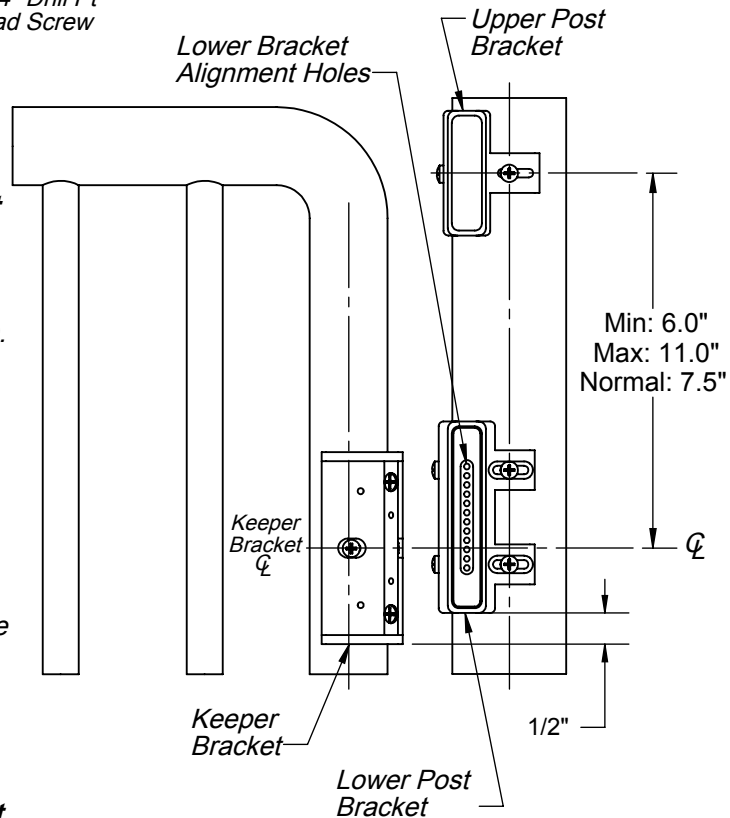
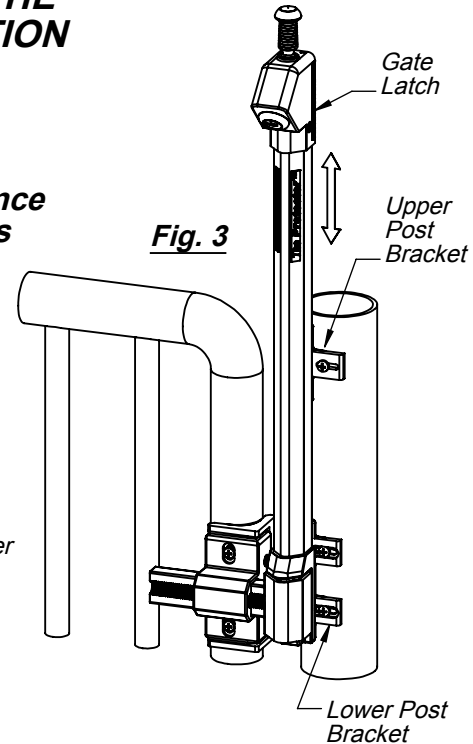
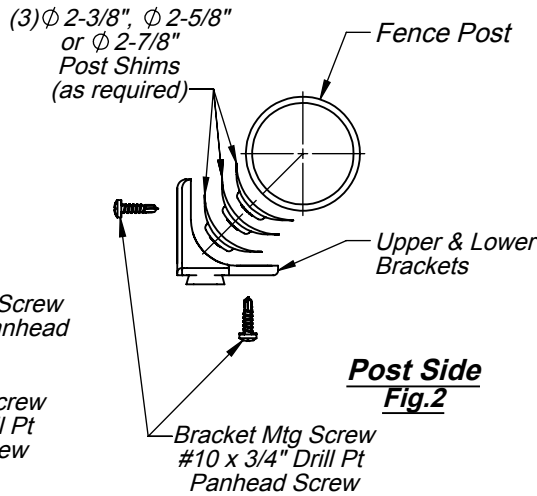
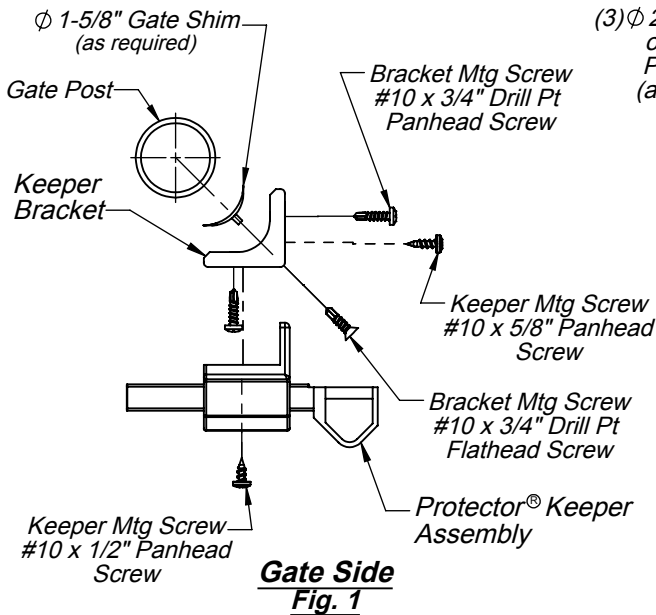
NW6149

THE PROTECTOR® ROUND POST ADAPTER KIT

INSTALLATION, ADJUSTMENT AND MAINTENANCE INSTRUCTIONS

PLEASE CAREFULLY READ ALL OF THE INSTRUCTIONS PRIOR TO INSTALLATION

The PROTECTOR® Round Post Adapter Kit is designed to mount the PROTECTOR® MAGNETIC GATE LATCH to a 1-3/8" or 1-5/8" dia. Gate and standard range of Post dia's. A set of Shims have been provided to fit the most commonly used Fence Post and Gate sizes. However, a 1-3/8" dia. Gate on a 2" dia. Post does not require Shims.



Note:
Also Review The Protector® Gate Latch Installation Sheet

STEP 1 - Marking the Mounting Location:

1. Attach the Protector® Keeper Assembly to the Keeper Bracket (Fig. 1). Slide the NEW Upper & Lower Post Brackets into Gate Latch rear groove as shown (Fig. 3). Align the Gate Latch and Lower Post Bracket alignment holes and secure with #8 FlatHead Screw (Fig. 8).
2. Assemble the Keeper and Latch in the LATCHED POSITION (Fig. 3).
3. Using the ENTIRE Assembly as a Template, Locate as shown (Fig. 3 & 4) and MARK the Location of the Keeper Bracket and the Upper & Lower Post Brackets.
4. Unlock Keeper from Latch. Remove the Keeper from Bracket. Remove Upper & Lower Brackets from Latch.

Using each bracket as a Template, return Brackets to the respective location and mark each mounting hole location (Fig. 4). Make sure to locate holes on the centerline of the Post.

Note: The Adapter Kit includes Self-Drilling Mounting screws, but to ease installation, we suggest drilling pilot holes.

SHEET 1 OF 2

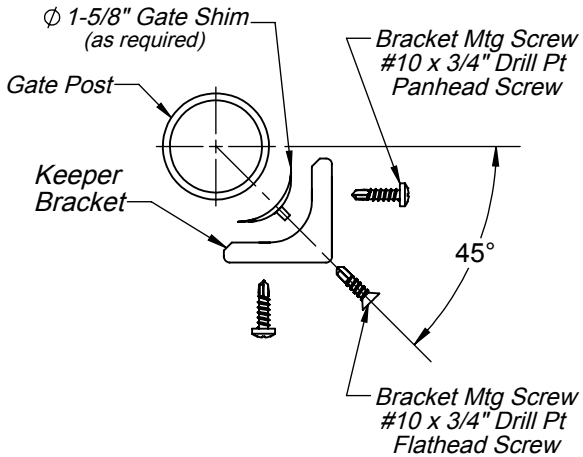
Liability Limitation & Warranty: This product is inspected prior to shipment and is warranted to the original purchaser to be free from defects in material and workmanship. No warranty applies if the product has been tampered with or damaged by the purchaser, and in no case shall the manufacturer or supplier be liable for damages which are incidental or consequential.

Disclaimer: The manufacturer and supplier of this device cannot and will not accept responsibility for unauthorized modifications to or for defective maintenance of this device. No modification to this device whatsoever is to be made other than with respect to the adjustments outlined in this installation instruction. If this device fails to function properly, it should be returned promptly to the supplier for replacement.

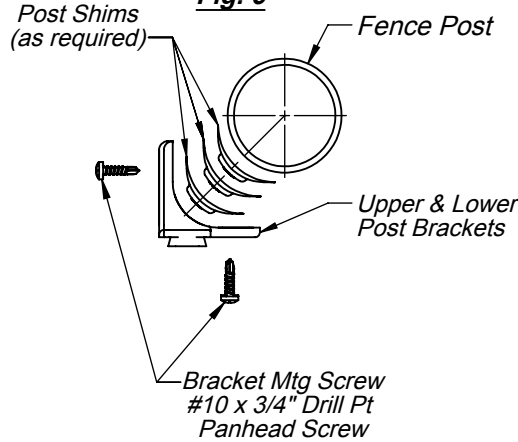
NW6149

THE PROTECTOR ROUND POST ADAPTER KIT INSTALLATION, ADJUSTMENT AND MAINTENANCE INSTRUCTIONS

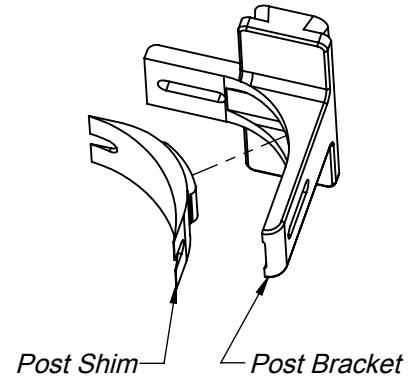
Gate Side
Fig. 5



Post Side
Fig. 6



Post Shim Installation
Fig. 7



STEP 2 - Installing the Upper & Lower Post Brackets and Gate Latch:

Note: If Req'd, Insert the (3) 2-3/8", 2-5/8" or 2-7/8" Post Shims as shown (Fig. 7).

1. Locate Upper & Lower Post Brackets (and shims as req'd.) on the Fence Post as marked. Using the supplied (6) #10 x 3/4" Drill Pt PanHead screws, insert thru the Mounting Holes and drill into the Fence Post (Fig. 6). **DO NOT** fully tighten screws, slight movement of the brackets may be required during installation of the Gate Latch Assembly (Fig. 3).

Note: Make sure to locate Mounting Screws on centerline of Posts.

2. Align the rear groove of the Gate Latch and Upper & Lower Post Brackets. Slide Latch into position (Fig. 3).

STEP 3 - Installing the Keeper Bracket and Keeper Assembly:

Note: If the Gate Post is 1-5/8" dia. , insert the Gate Shim as shown (Fig. 5).

1. Locate the Keeper Bracket (and shim as req'd) on the Gate as marked (Fig. 4). Using the supplied (2) #10 x 3/4" Drill Pt FlatHead Screws, insert screws thru the 45° mounting holes and drill into the Gate Post (Fig. 5).
2. Install (2) #10 x 3/4" Drill Pt PanHead screws thru remaining slotted mounting holes and drill into the Gate Post (Fig. 5).

Note: Make sure to locate Mounting Screws on centerline of Posts

3. Mount Keeper Assembly to the Keeper Bracket by using the (2) #10 x 1/2" PanHead screws in the FRONT of the Keeper Assembly and the (2) #10 x 5/8" PanHead Screws in the SIDE of the Keeper Assembly (Fig. 1).
4. Close Gate and confirm correct alignment. Adjust as required and **tighten all mounting screws.**
5. Re-Insert Gate Latch Set Screw (Fig. 8). Installation is complete.

