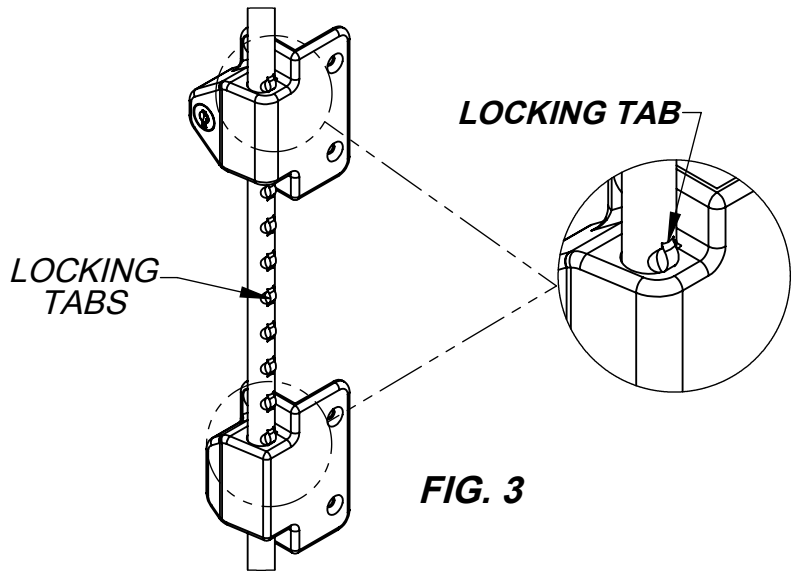
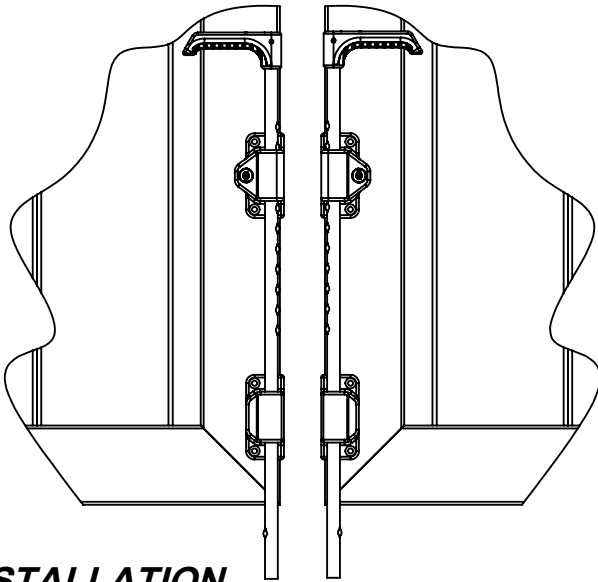


NW38305KL

LOCKING DROP ROD

INSTALLATION, ADJUSTMENT AND MAINTENANCE INSTRUCTIONS



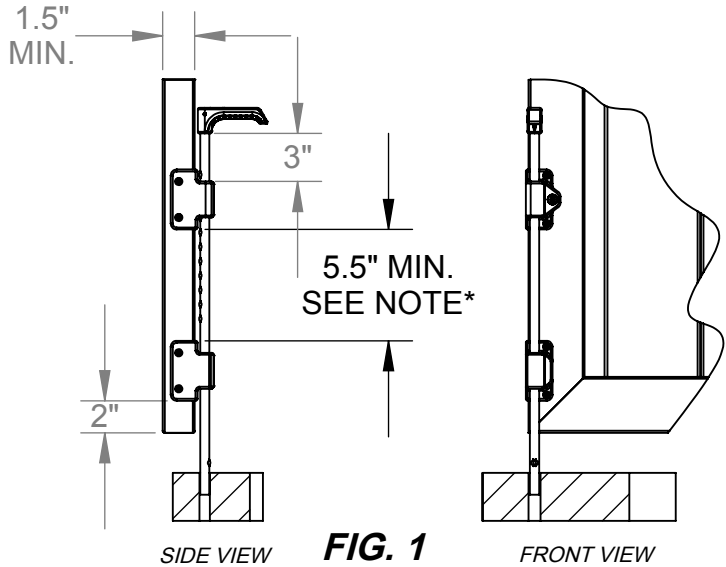
INSTALLATION

1. Position brackets as shown in Fig. 1. The upper bracket with lock cylinder should always be closest to the handle. The Gate Frame must be at least 1.5" wide. **(THE BRACKETS MUST BE ON THE ROD BEFORE ATTACHING TO GATE)**

2. Position the Lower Bracket 2" up from the bottom edge of the gate and secure using four of the supplied screws.

*A minimum of 5.5" Gap between Brackets is recommended. If due to circumstances the Gap must be smaller, the Brackets must be mounted with the Locking Tabs resting on top of the Brackets (Fig. 3)

3. To mount the Upper Bracket, lower the rod into the hole to the desired depth. Position the upper bracket so that the Top Locking Tab rests on the top of the Bracket (Fig. 3), about 3" of the rod can be seen between the handle and the top of the upper bracket then secure using four of the supplied screws.

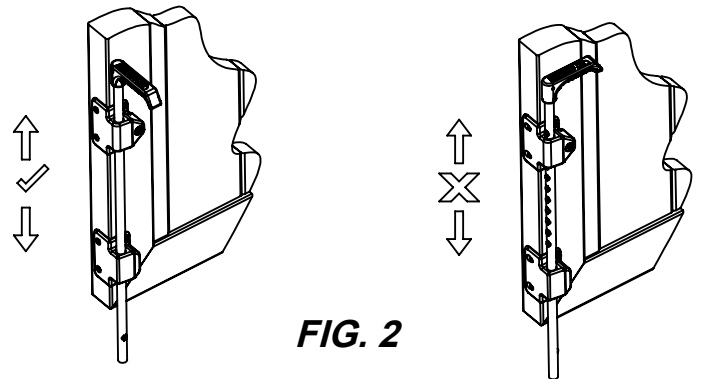


OPERATION (Fig. 2)

The rod is free to move up and down only when the handle is pointing straight out from gate. To make the rod stay at a certain position, turn the handle so that it lays flat against the gate.

TO LOCK GATE, turn handle so that it points straight out from gate, lower rod into the hole to desired depth, turn handle so that it is flat against the gate, insert key into cylinder and turn clockwise 1/2 turn to lock, pull key straight out.

TO UNLOCK GATE, insert key into cylinder and turn counter-clockwise 1/2 turn, pull key straight out. Turn handle so that it points straight out from gate, raise rod to desired height, turn handle so that it is flat against the gate.



Moving position
Rod is free to move up or down when lock cylinder is in unlocked position

Held position
Rod will stay in place when the handle is to the side