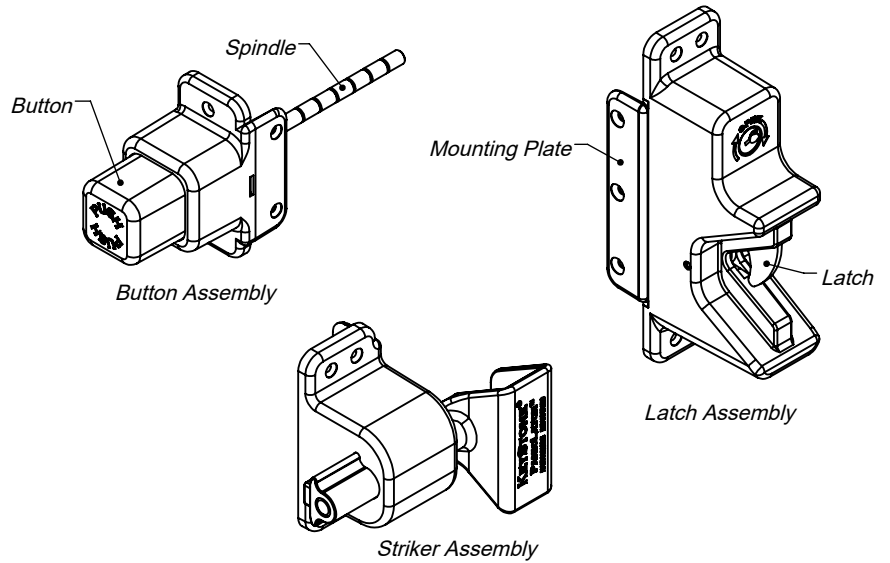
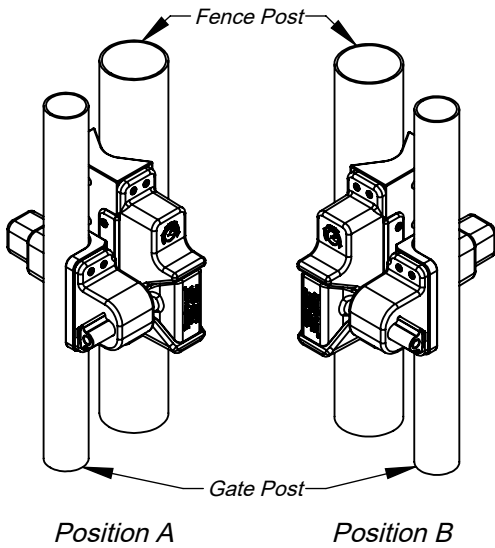


# KPL-RPA

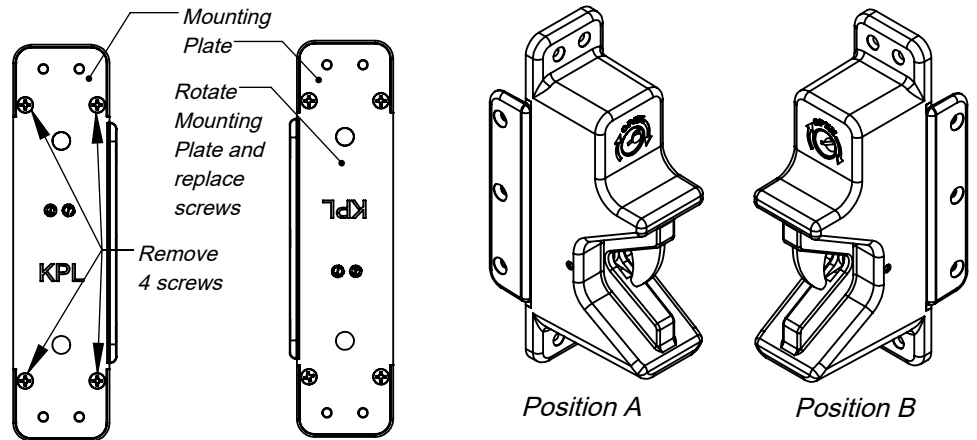
## KEYSTONE® PANIC LATCH™ FOR ROUND POSTS INSTALLATION, ADJUSTMENT AND MAINTENANCE INSTRUCTIONS

**NOTE: READ INSTRUCTIONS COMPLETELY AND CHECK ALL APPLICABLE CODES BEFORE INSTALLING. THIS PRODUCT WAS DESIGNED FOR OUTSWING GATES.**

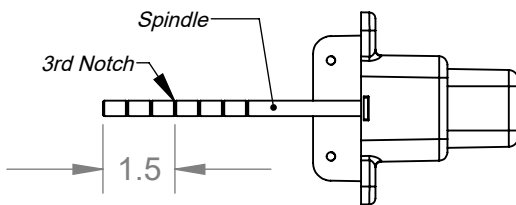
1. Determine which side of post to mount latch (Position A or Position B).



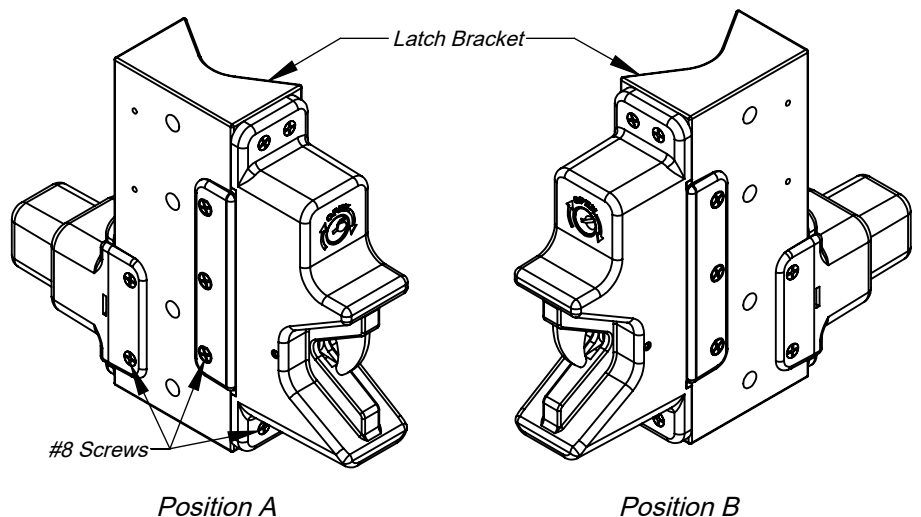
2. Determine if the Mounting Plate on the Latch Assembly is in the correct orientation for your application. If the orientation needs to be changed, remove the (4) screws on the Mounting Plate, rotate the Mounting Plate 180° and reinstall the 4 screws. Be careful not to disturb internal components.



3. Cut the Spindle at the 3rd notch to fit the Latch Bracket.



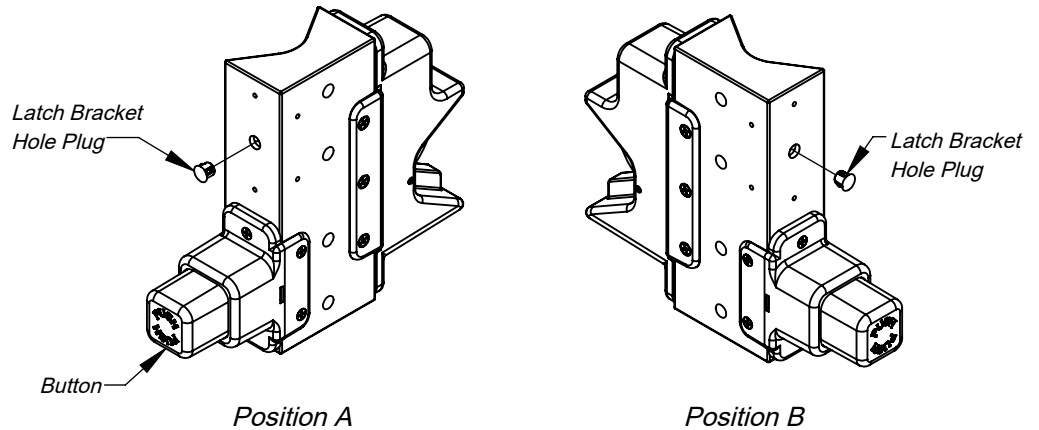
4. Mount the Latch Assembly and the Button Assembly to the Latch Bracket using the #8 screws included with the KPL.



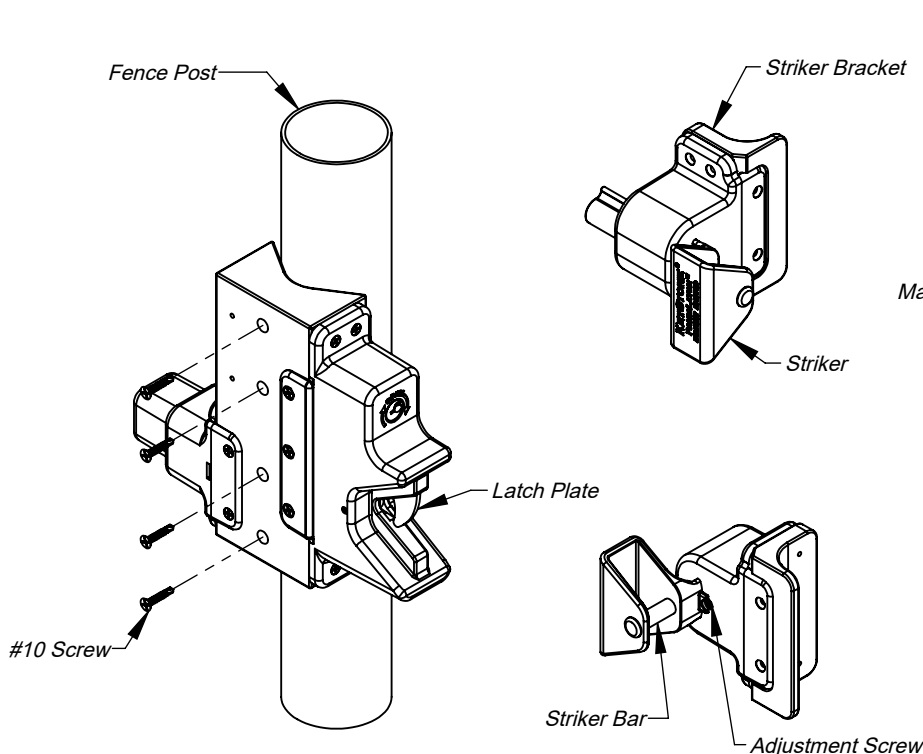
# KPL-RPA

## KEYSTONE® PANIC LATCH™ FOR ROUND POSTS INSTALLATION, ADJUSTMENT AND MAINTENANCE INSTRUCTIONS

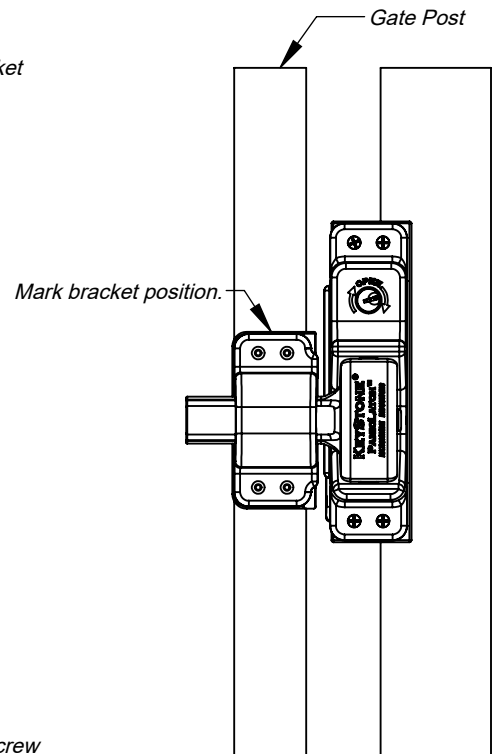
5. Insert the Latch Bracket Hole Plug into the Latch Bracket hole as shown.



6. Mount the Latch Bracket to the Fence Post using the #10 screws included with the KPL-RPA. Test the Button Assembly by pushing the button. The latch plate in the Latch Assembly should retract when the button is pressed, and lower when the button is released.



7. Hold the Striker together with the Striker Bracket as shown, and determine the proper mounting position on the Gate Post by aligning the Keeper with the Latch. Mark the position of the Striker Bracket. Adjust the Striker Bar horizontally with the Adjustment Screw using a flat head screwdriver so the Striker Bar is centered in the Latch. DO NOT USE POWER TOOLS FOR ADJUSTMENT.



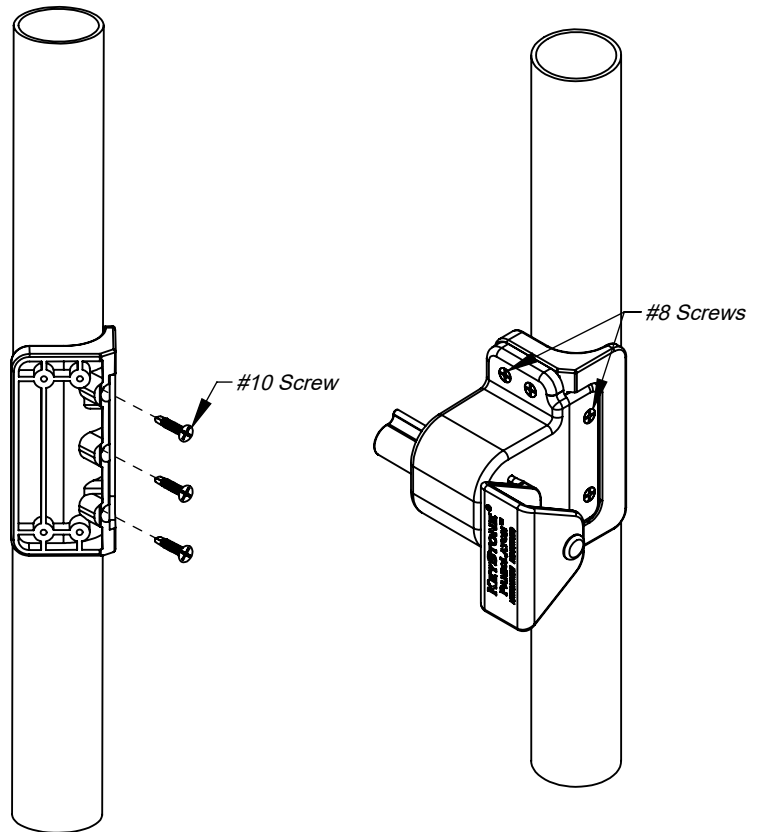
# KPL-RPA

## KEYSTONE® PANIC LATCH™ FOR ROUND POSTS

### INSTALLATION, ADJUSTMENT AND MAINTENANCE INSTRUCTIONS

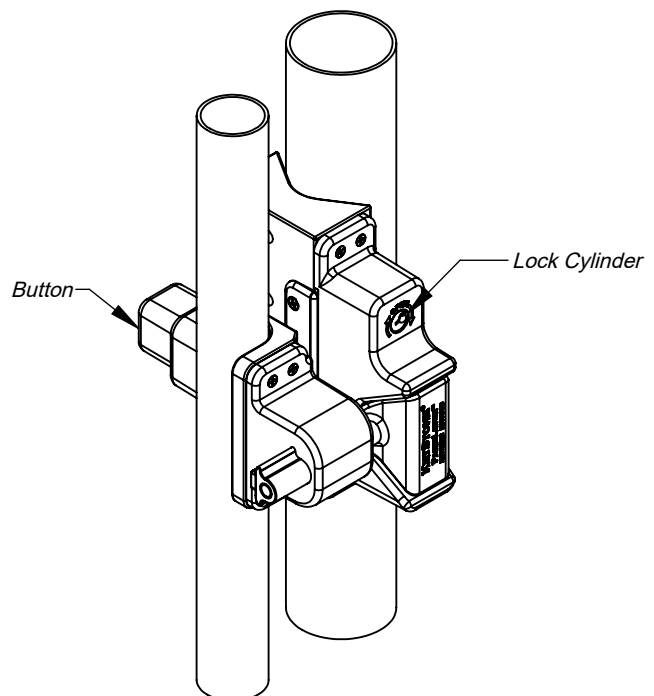
8. Set aside the Striker. Mount the Striker Bracket at the position determined in Step 7 using the #10 screws included with the KPL-RPA.

9. Attach the Striker to the Striker Bracket using the #8 screws included with the KPL.



10. Test the key. Insert the key into the Lock Cylinder of the Latch Assembly and turn clockwise until the key stops. The Latch Plate should retract. Turn the key back (counter-clockwise) to the vertical position. The Latch Plate should return to the lower position.

11. Test the Button Assembly. Pressing the button should release the Striker Assembly and allow the gate to be opened.



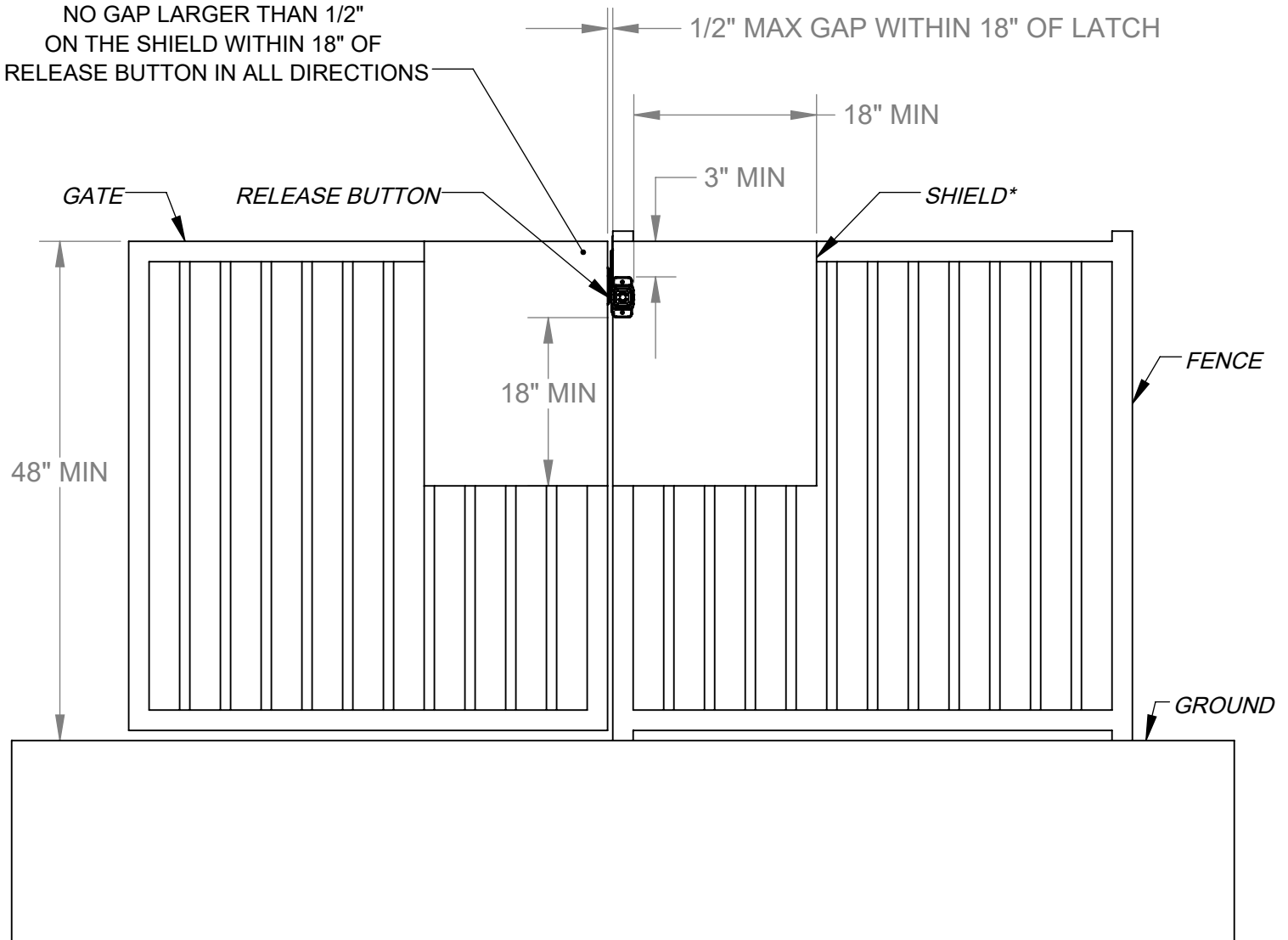
# KPL-RPA

## KEYSTONE® PANIC LATCH™ FOR ROUND POSTS INSTALLATION, ADJUSTMENT AND MAINTENANCE INSTRUCTIONS

### PANIC HARDWARE REQUIREMENTS

#### **NOTE: CHECK LOCAL CODES BEFORE INSTALLING TO INSURE COMPLIANCE.**

1. The latch must be installed 34" minimum and 48" maximum above the ground (IBC 2012 1008.1.9.2).
2. The top of the barrier must be at least 48" above the ground measured on the side facing away from the pool (IBC 2012 3109.4.1).
3. The release mechanism shall be located at least 3 inches below the top of the gate. The gate and barrier shall be without openings greater than 1/2" within 18" of the release mechanism (IBC 2012 3109.4.1.7).



\* SHIELD NOT PROVIDED BY NATIONWIDE INDUSTRIES