

'KLX-RPA'

"KLX" ROUND POST ADAPTER KIT

INSTALLATION, ADJUSTMENT AND MAINTENANCE INSTRUCTIONS

PLEASE CAREFULLY READ ALL OF THE INSTRUCTION PRIOR TO INSTALLATION

The "KLX" Round Post Adapter Kit is designed to mount the KEYSTONE® X "KLX" eXternal MOUNT LATCH to a 1-3/8" or 1-5/8" Gate and a Standard Range of Post Diameters.

A Set of Shims have been provided to fit the most commonly used Fence Post and Gate sizes. However, a ϕ 1-5/8" Gate and ϕ 2-7/8" Post DO NOT require Shims.

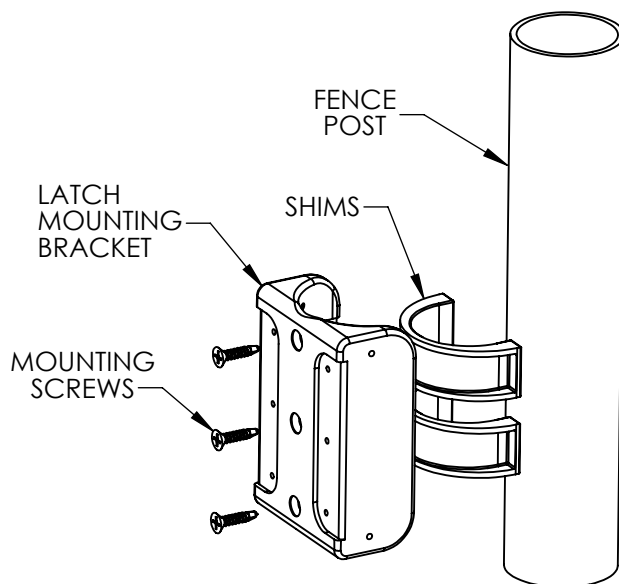


Fig. 1

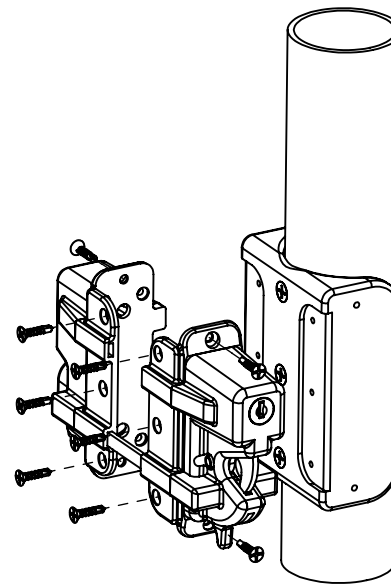


Fig. 2

STEP 1 - Installing the Latch Mounting Bracket (Fig. 1)

1. Select the Proper Shims for the Fence Post (2-7/8" dia. Post does not require a Shim).
2. Insert the Shims into the Bracket and locate on the side of the Fence Post at the desired Height. The Mounting Screw surface should be positioned facing the Gate and Perpendicular to the Fence Line.
3. Once properly located, mark the Mounting Hole Locations on the Post and Drill the appropriate Pilot Holes. (The Supplied Mounting Screw are Self-Drilling, but, we suggest drilling Pilot Holes to ease Installation).
4. Mount the Bracket to the Fence Post using the Supplied Mounting Screws.
5. Following the **"KLX" Gate Latch Instructions** and using the **"SPINDLE CUT LENGTH"** for a **3-1/2" Post**, mount the Latch to the Installed Latch Mounting Bracket. (**Fig. 2**)

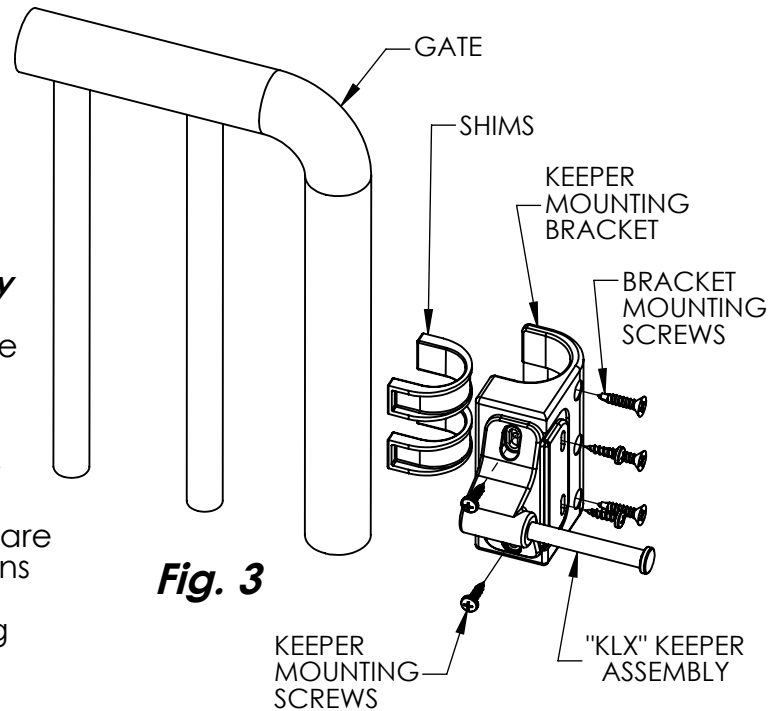
'KLX-RPA'

"KLX" ROUND POST ADAPTER KIT

INSTALLATION, ADJUSTMENT AND MAINTENANCE INSTRUCTIONS

STEP 2 - Installing the Keeper Mounting Bracket (Fig. 3)

1. Using the Mounting Screws supplied with the **"KLX" Gate Latch**, mount the **Keeper Assembly** to the Keeper Mounting Bracket.
2. Select and install the Proper Shims for the Gate Size (1-5/8" Gate Post Size Does NOT Require Shims).
3. Using the Installed Latch as a Guide (Keeper Pin engaged in the Latch), locate the Keeper on the Gate.
4. Once the Keeper is located properly and Square to the Latch, mark the Mounting Hole Locations and Drill the appropriate Pilot Holes.
5. Mount the Keeper Assembly to the Gate using the Supplied Mounting Screws.



STEP 3 - Ensure Proper Installation (Fig. 4)

1. To ensure the Gate Latch has been installed correctly, Open and Close Gate allowing the Latch to operate.
2. Test the Locking and UnLocking Mechanism on BOTH Sides.

