



# KLX-P2 GATE LATCH

## INSTALLATION & INSTRUCTION SHEET

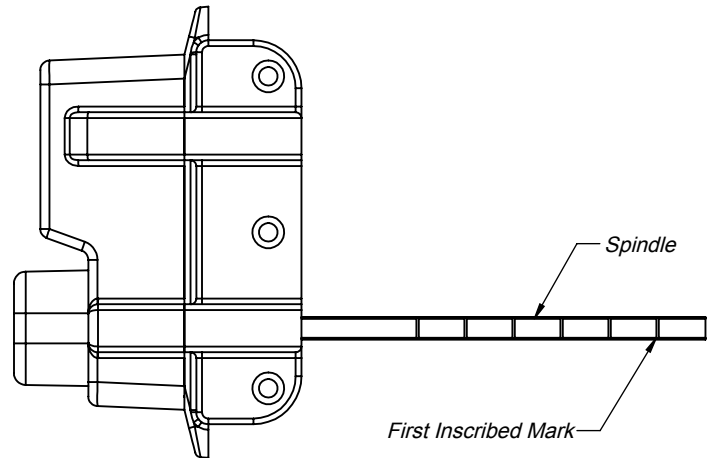
REV. 2

### STEP-2

Depending on the fence post size of your application the spindle may have to be cut, a chart has been provided below.

**IMPORTANT: BE CAREFUL TO AVOID BENDING SPINDLE DURING CUTTING PROCESS.**

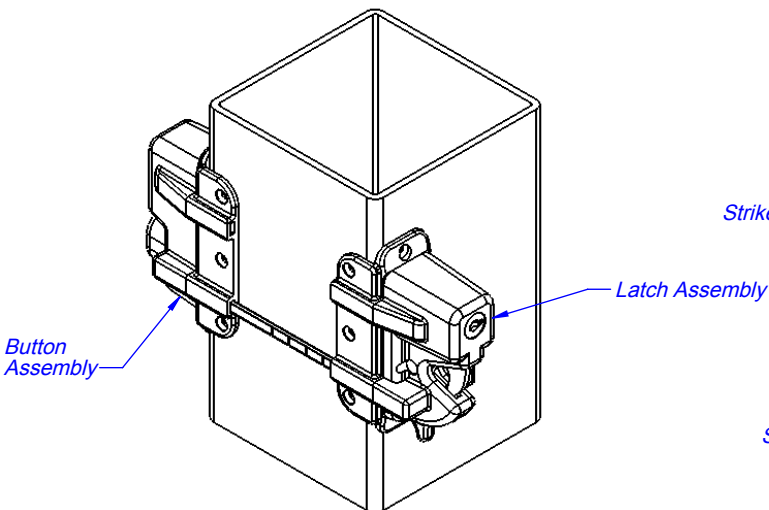
Spindle Cutting Table	
Post Thickness	Cut Location on Spindles
2	Cut at the Sixth Incribed Cut Mark
3	Cut at the Fourth Incribed Cut Mark
3-1/2	Cut at the Third Incribed Cut Mark
4	Cut at the Second Incribed Cut Mark
5	DO NOT CUT SPINDLE



**Button Assembly**

### STEP-3

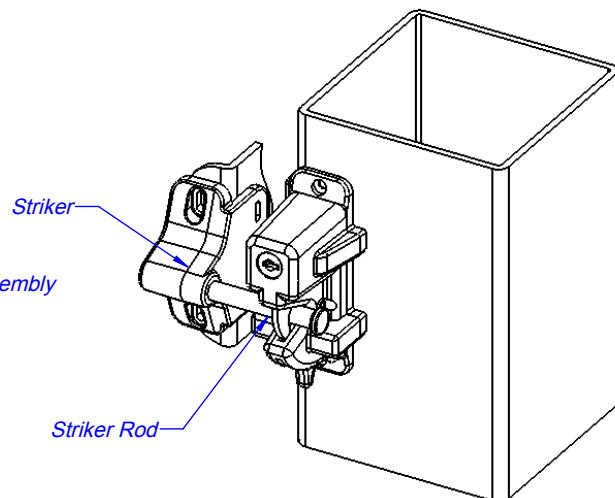
Locate latch assembly at the desired height on the fence post, mark the centerpoints of the mounting holes, and drill appropriate pilot holes for mounting screws. Insert spindle of button assembly into the provided slot of the mounting base of latch assembly and align to make sure spindle is properly inserted and leveled. Mark the centerpoints of the mounting holes, and drill appropriate pilot holes for mounting screws (Fig #4).



**FIG. #4**

### STEP-4

After installing the latch and button assembly, with the gate closed, position and attach the striker with the striker rod within the latch mechanism and behind the latch mechanism and mark the centerpoints of the mounting holes, and drill appropriate pilot holes for mounting screws (Fig #5). After installation, **TEST** the locking and unlocking mechanism of the latch from both sides.



**FIG. #5**