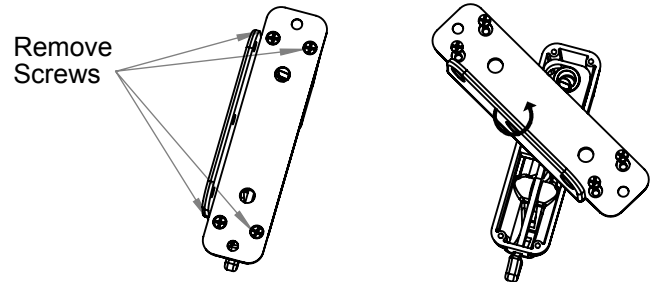


PLEASE CAREFULLY READ ALL OF THE INSTRUCTIONS PRIOR TO INSTALLATION

STEP-1

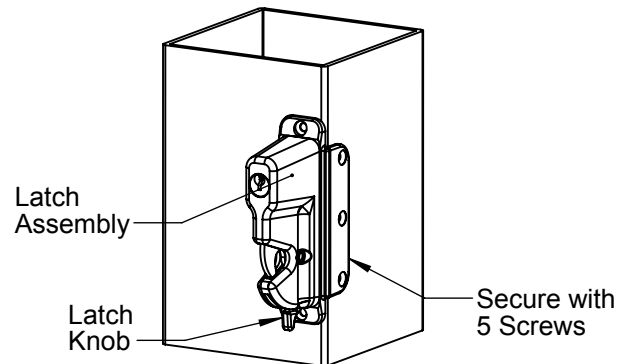
The Keystone® Advantage One-Sided Latch is designed to fit both right-hand and left-hand applications. To conform to your application the latch assembly may need to be reversed. To reverse the latch assembly: remove the four screws holding the mounting base, carefully lift and rotate the mounting base.

IMPORTANT: INNER COMPONENTS MUST NOT BE DISTURBED WHILE REVERSING THE ASSEMBLIES.



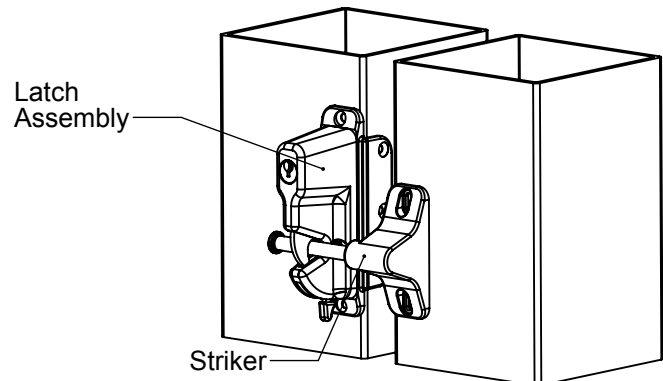
STEP-2

Locate the desired mounting height for the Keystone® Advantage One-Sided Latch on the fence post, mark the centerpoints of the the 5 mounting holes, and drill appropriate pilot holes for mounting screws. Realign latch and attach to post with the supplied flat head screws.



STEP-3

After installing the latch assembly, position and attach the Striker. With the gate closed, position the striker with the Striker Rod within the latch assembly, behind the latch mechanism.



STEP-4

After installation, TEST the locking and unlocking of the latch.

Lock: Turn key clockwise to stop point, then counterclockwise to 12:00 O'Clock position and remove

Unlock: Turn key counterclockwise to stop point, then turn key clockwise to 12:00 O'Clock position and remove

