

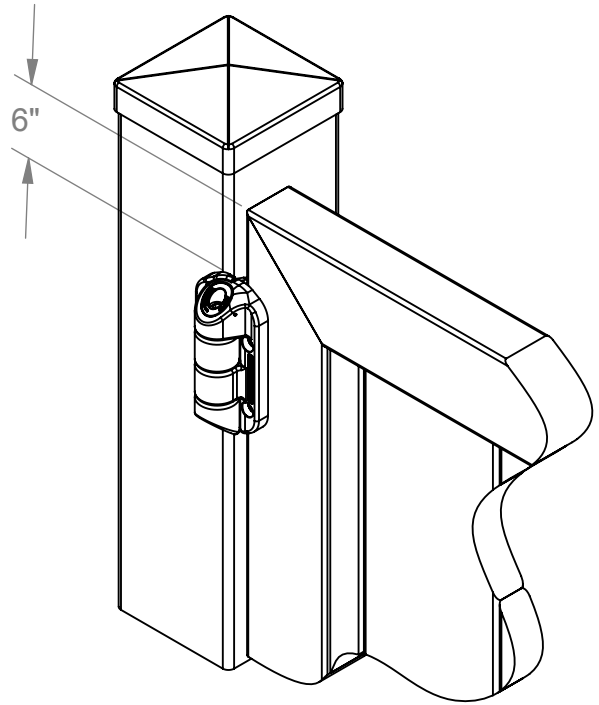
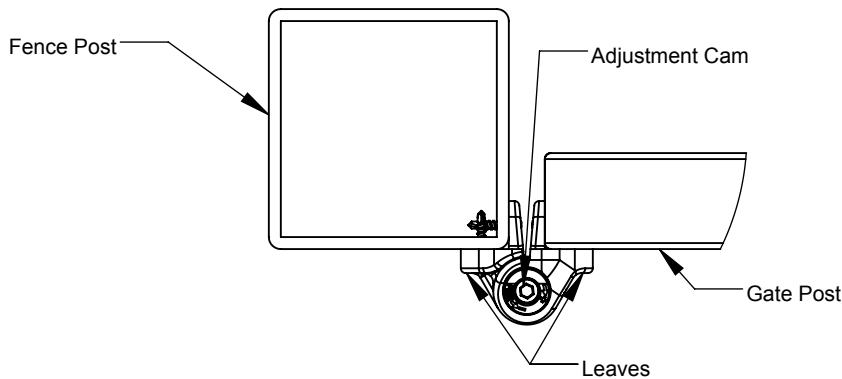
# CORNERSTONE<sup>®</sup> C2H100N

## SELF-CLOSING ORNAMENTAL HINGE

### INSTALLATION, ADJUSTMENT AND MAINTENANCE INSTRUCTIONS

#### HINGE MOUNTING

The hinge should be mounted as shown. The leaves should be positioned on the outside surface of the posts when the gate is closed. The top surface of the upper hinge should be mounted within 6" of the top surface of the top rail and the bottom surface of the lower hinge should be mounted within 6" of the lower surface of the lower rail. In applications where additional hinges are used, they should be evenly spaced between the upper and lower hinges.

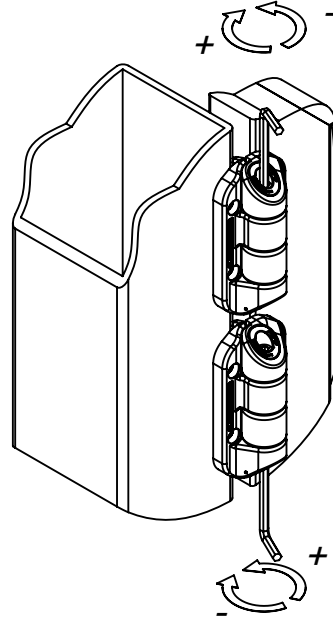
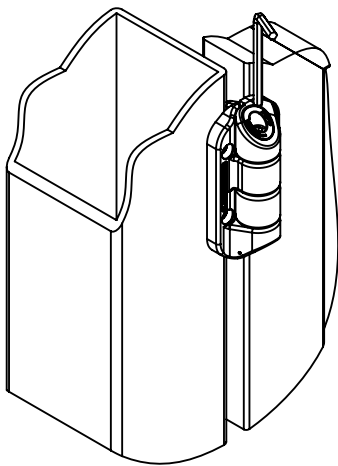


#### SPRING TENSION ADJUSTMENT AND MAINTENANCE

**WARNING:** Spring tension should never be increased more than 2 full turns (8 quarter turns) from the neutral position.

Insert allen wrench into the cam at the end of the hinge barrel.

Rotate the cam clockwise to increase (+) spring tension. To decrease (-) spring tension, press the wrench downward, pushing the cam into the barrel, and rotate the cam counter-clockwise. Adjust one hinge at a time in 1/4 turn increments.



**NOTE:** The hinge should be inspected annually, or more frequently if the gate is used often. Spring tension adjustments should be made as needed. The hinge should be regularly lubricated by spraying an oil-based lubricant into the area of the cams and barrel.