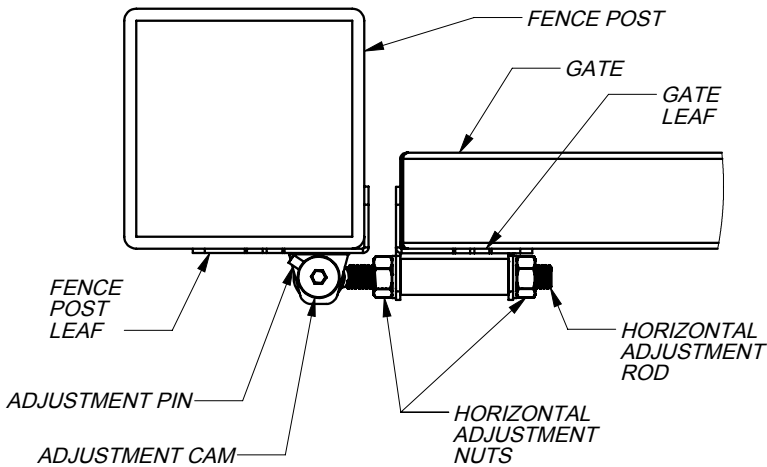
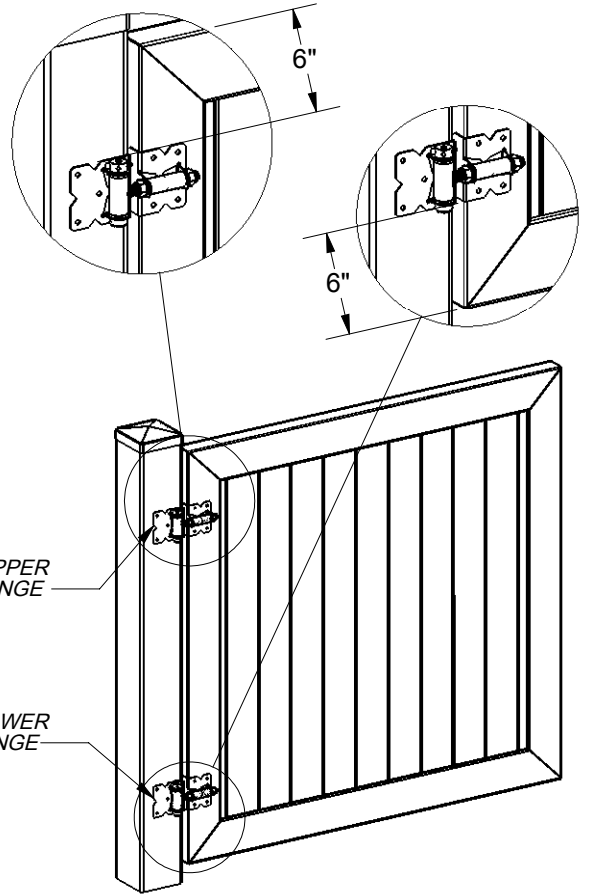


Self Closing Hinge

INSTALLATION, ADJUSTMENT AND MAINTENANCE INSTRUCTIONS

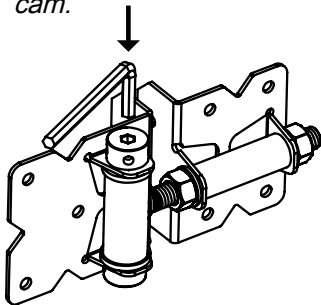
Installation Instructions

The hinges should be mounted as shown with the supplied screws. Pre-drill the screw holes if the gate or fence post has a metal stiffener or other support. The **fence post leaf** should be mounted so that the **adjustment cam** and the **horizontal adjustment rod** are located on the outer surface of the **fence post** and **gate** when the **gate** is in the closed position. The top surface of the **upper hinge** should be within 6 inches of the top surface of the **gate** and the lower surface of the **lower hinge** should be within 6 inches of the lower surface of the **gate**. In applications where additional hinges are used, they should be evenly spaced between the **upper hinge** and **lower hinge**.

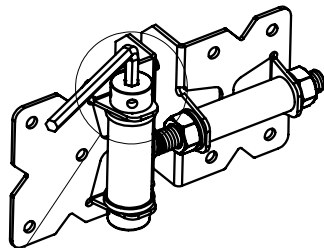


Spring Tension Adjustment and Maintenance

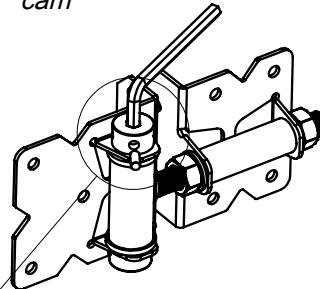
Insert supplied hex wrench into adjustment cam.



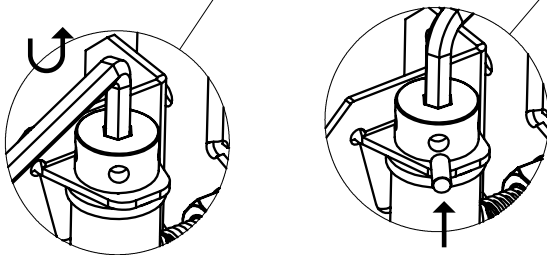
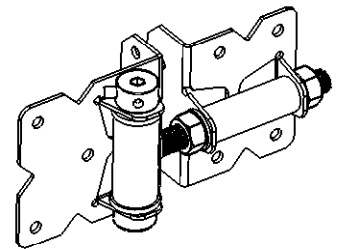
Rotate the hex wrench counter-clockwise.



Insert adjustment pin into hole in adjustment cam



Carefully rotate the adjustment cam clockwise until the adjustment pin contacts the fence post leaf. Remove the hex wrench. Repeat until gate closes firmly. Do not adjust more than 1-1/2 turns from neutral.



The hinges should be inspected annually or more frequently if the gate is used often. Spring tension adjustments should be made as needed. If needed, the spring can be lubricated with an oil based lubricant applied to the cam and barrel portion of the hinge.