

KEYSTONE® PAC-LATCH™

INSTALLATION

1. Determine the handing of your gate (Fig. 1). Insert the latch lever into the latch body in the correct orientation for the gate handing (Fig. 2).
2. Hold the latch at the desired height on the fence post. Install (2) mounting screws into the front of the latch and (2) mounting screws into the side of the latch (Fig. 3).
3. With the gate closed, hold the keeper to the gate, align to the latch, and install (2) mounting screws (Fig. 4). Open the gate and install (2) mounting screws into the side of the keeper (Fig. 5).

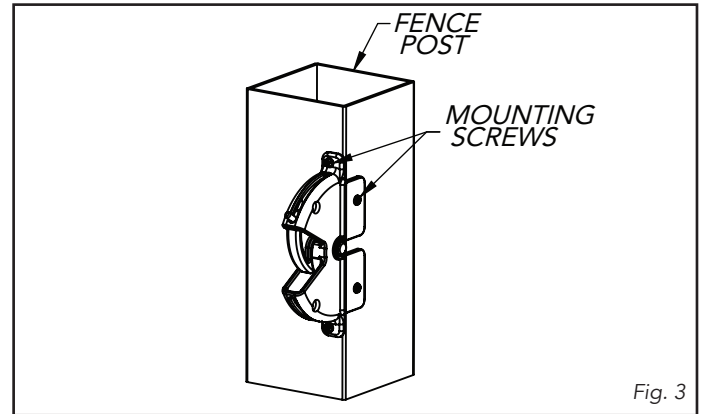


Fig. 3

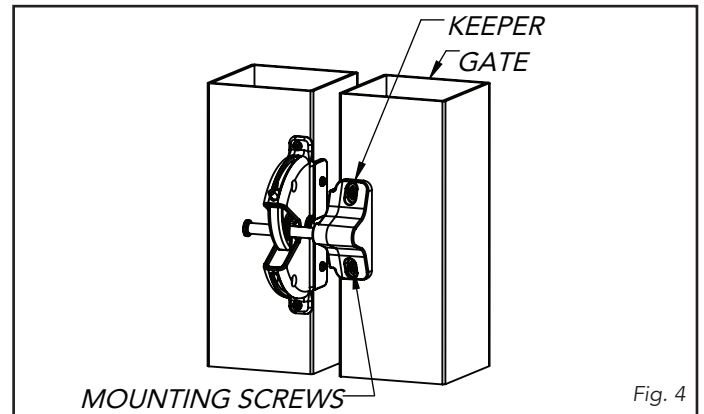


Fig. 4

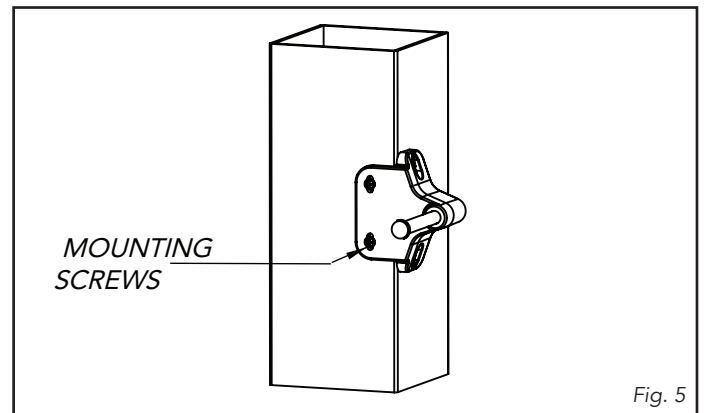


Fig. 5

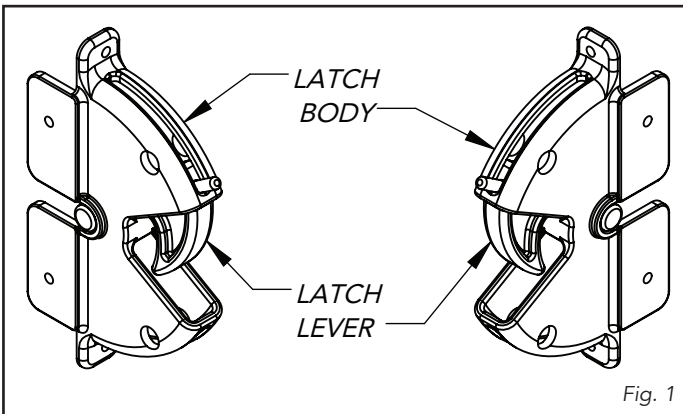


Fig. 1

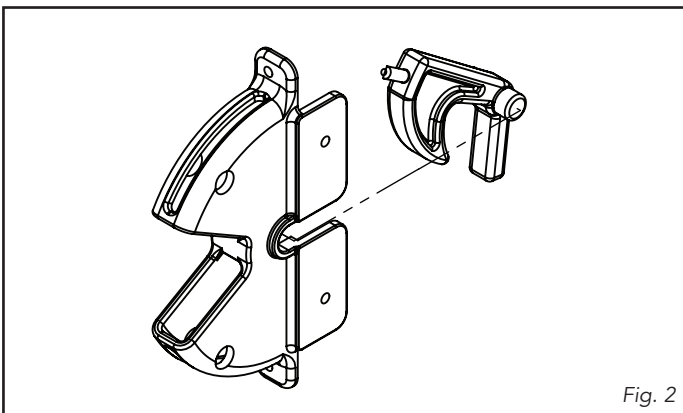


Fig. 2